

Nice

Smoke-Control

Smoke and temperature sensor

EN - Instructions and warnings for installation and use

Nice

1 WARNINGS AND GENERAL PRECAUTIONS

- **CAUTION! – This manual contains important instructions and warnings for personal safety.** Carefully read all parts of this manual. If in doubt, suspend installation immediately and contact Nice Technical Assistance.
- **CAUTION! – Important instructions: keep this manual in a safe place to enable future product maintenance and disposal procedures.**
- **CAUTION! – Any use other than that specified herein or in environmental conditions other than those stated in this manual is to be considered improper and is strictly forbidden!**
- The product's packaging materials must be disposed of in full compliance with local regulations.
- Never apply modifications to any part of the device. Operations other than those specified may only cause malfunctions. The manufacturer declines all liability for damage caused by makeshift modifications to the product.
- Do not expose this product to moisture, water or other liquids.
- This product is designed for indoor use only. Do not use outside!
- This product is not a toy. Keep away from children and animals!
- If the battery is leaking and the contained material is ingested, rinse mouth and surrounding area with clear water. Seek medical attention right away.
- Work within local code height requirements during installation of Smoke-Control. Take special precautions during installation and use tools and equipment in perfect working order. It's recommended to observe ladders, lifts and other obstacles.
- Maintenance inspections should be performed regularly. Manufacturer recommends the functional and visual checks to be performed at least once a week. Functional check includes self-test.
- When handled carelessly or used in non-specified environment conditions, the device may not function properly. It's highly recommended to take all safety precautions to ensure safety and property protection.
- Current studies show that fire alarms may not awake all sleeping individuals and that it is the responsibility of other residents to assist those who may not be awakened by the alarm sound or those who may be incapable of safely leaving the area unassisted.

⚠ CAUTION!

Depending on the Smoke Sensors' internal conditions (e.g. battery discharge, device failure, etc.) and ambient conditions, fire alarms are not always effective in all situations. Smoke Sensors must be tested regularly according to this operating manual and local code. Ventilation systems, chimneys, and potentially dangerous devices that can cause a fire should be regularly inspected as well.

There are various situations against which the fire alarm may not be effective, for example:

1. Fires where the victim is intimate with a flaming initiated fire; for example, when a person's clothes catch fire while cooking;
2. Fires where the smoke is prevented from reaching the detector due to a closed door or other obstruction;
3. Incendiary fires where the fire grows so rapidly that an occupant's egress is blocked even with properly located detectors.

2 PRODUCT DESCRIPTION

Smoke-Control is a universal, optical Z-Wave™ smoke detector. A fire alarm is signaled by sound, visual indicator blinking, and sending Z-Wave alarm and control commands.

The optical sensor detects smoke at an early stage of fire, often before flames appear and the temperature rises significantly. Moreover, the device has a built-in temperature sensor, a programmable indicator of exceeding the set temperature level.

Smoke-Control is designed to be placed on a wall or ceiling. Visual indicator signals fire operating mode and are used to see if the device is within the Z-Wave network. Smoke-Control is designed to operate in confined spaces under normal conditions (lacking smoke, dust, condensed water vapor).

Main features

- Compatible with any Z-Wave™ or Z-Wave Plus™ Controller
- Supports protected mode (Z-Wave network security mode) with AES-128 encryption
- Extremely easy installation - simply install it in location prone to fire.
- Battery powered
- 3 levels of sensors sensitivity
- Built-in casing opening detector
- Alarm is signaled by sound, visual indicator and Z-Wave control command
- Programmable excess temperature warning
- Automatic test performed every 10 seconds

Smoke-Control is a fully compatible Z-Wave Plus™ device.

This device may be used with all devices certified with the Z-Wave Plus certificate and should be compatible with such devices produced by other manufacturers. All non-battery operated devices within the network will act as repeaters to increase reliability of the network. The device is a Security Enabled Z-Wave Plus product and a Security Enabled Z-Wave Controller must be used in order to fully utilize the product.



3 INSTALLATION

3.1 - General installation notes

1. Make sure the alarm sound can be easily audible in other rooms in the building.
2. Install the sensor in already decorated, painted rooms.
3. Install the sensor at least 1.5m from air conditioners.
4. Do not install the sensor in direct sunlight. Keep at least 0.5m distance from light sources.
5. Do not install the sensor in places prone to drafts.
6. Do not install the sensor in places with high water vapor condensation, e.g. above stoves, ovens, kettles, etc. The device can not be installed where the temperature exceeds operational values (0°C – 55°C).
7. Do not install the sensor in areas where the temperature exceeds the maximum temperature rating (0°C – 55°C).
8. There should be at least one sensor on each floor.
9. If there is only one sensor on a floor, it is best to place it in the corridor leading to the bedrooms.
10. It is recommended to install the sensor in every room except kitchens and bathrooms.
11. In standard rooms up to 60 m², one sensor is sufficient, except for L-shaped rooms or bigger rooms.
12. If the room has high furniture, fittings, or other high dividers, it is recommended to install more sensors.
13. In standard corridors (up to 3 m), it is recommended to use smoke detectors every 15 m maximum. If the corridor is L or U-shaped, installation in the middle of the corners is recommended.
14. The sensors must not be painted over or covered with furniture.
15. When installing on sloped ceilings, the sensor should be installed in a horizontal position. For slopes greater than 20 degrees, it is recommended to install the sensor 50-100 cm from the highest part of the ceiling.

3.2 - Recommended place of installation

It's recommended to install the sensor on the ceiling or upper portion of the wall at least 40cm (2 feet) from corners and other objects. Particular attention should be paid to any adjacent objects or devices which can impede smoke's access to the sensor. It's recommended to install Smoke-Control in all rooms prone to fire and between such rooms.

3.3 - Sensor installation

To install the device properly, follow the procedure:

1. Include the device into the Z-Wave network. Note the inclusion process may be performed ONLY in direct range of the main controller.
2. Install the sensor's cover in desired location.
3. Screw Smoke-Control into the cover.
4. If the sensor is already included into the Z-Wave network, wake it up by clicking the B-button. Otherwise, add the device as described in chapter 4.
5. Test Smoke-Control's operation by performing a self-test - press and hold the B-button.
6. Test the Z-Wave network range (see p.XIV) assuring the device is within range.

4 ADDING THE DEVICE

- Adding in security mode must be performed up to 2 meters from the controller.
- In case of problems with adding the device, please reset the device and repeat the adding procedure.

Adding (Inclusion) - Z-Wave device learning mode, allowing to add the device to existing Z-Wave network.

To add the device to the Z-Wave network **manually**:

1. Install the battery. Visual indicator will signal the Z-Wave network adding status (red - device ready for inclusion, green - device added, remove firstly).
2. Make sure the device is located within direct range of the Z-Wave controller.
3. Set the main controller into the adding mode (see main controller's operating manual).
4. Quickly, triple click the B-button, located on Smoke-Control's casing (Fig. 1).
5. Smoke-Control will be detected and added to the Z-Wave network.

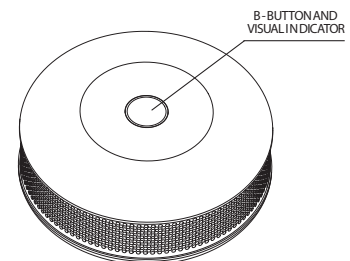


Fig. 1. Smoke-Control top view

5 REMOVING THE DEVICE

Removing (Exclusion) - Z-Wave device learning mode, allowing to remove the device from existing Z-Wave network.

To remove the device from the Z-Wave network:

1. Make sure the sensor is connected to battery.
2. Set the main controller into the removing mode (see main controller's operating manual)
3. Quickly, triple click the B-button, located on Smoke-Control's casing (Fig. 1).

Note. Removing the device from the Z-Wave network restores all the default parameters of the device.

6 BATTERY HANDLING

⚠ Smoke-Control is equipped with dedicated safety mechanism (Fig. 2, Fig. 3) which prevents closing the casing without installed battery.

It's strongly recommended to perform the self-test after each battery replacement to ensure correct device operation.

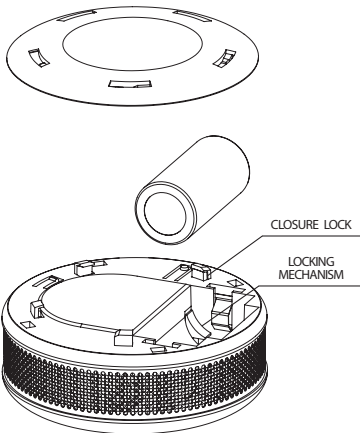


Fig. 2. Smoke-Control bottom view without the battery installed

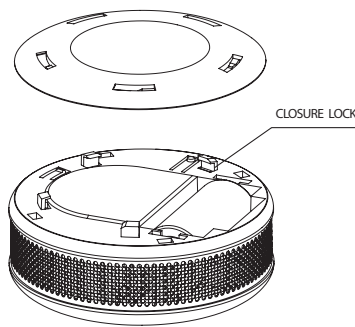


Fig. 3. Smoke-Control bottom view with the battery installed

6.1 - Battery tips

Smoke-Control's battery life is at least equal to two years.

The wake-up interval is recommended to be set at a default value (6 hours). In the case of choosing a smaller value, the lifetime of a battery can decrease significantly.

The current battery level is displayed in the Z-Wave controller's interface, e.g. Yubii Home. The red battery icon means that the battery needs replacement. In addition, the device itself, apart from the main controller, monitors the battery level, and a low battery is signaled with a yellow blinking visual indicator and an intermittent sound alarm. Smoke-Control reports a low battery level for at least 30 days until it is completely discharged.

6.2 - Battery replacement

Once a Smoke-Control has reported low battery level or battery is discharged, it should be replaced observing the following procedure:

1. Detach the sensor from its cover by turning the device counter-clockwise.
2. Remove the flat battery from the device. Then press and hold the B-button for 3 seconds.
3. Insert a new CR123A battery observing the polarities shown inside. Visual indicator will signal Z-Wave network inclusion status (green - device included, red - device not included).
4. Test Smoke-Control's operation by performing a self-test (see section 8.3 - Self-test).
5. Attach the device into the cover by turning clockwise.

7 FIRE DETECTION

⚠ Smoke-Control is a multiple use device, however, for greater safety, it's recommended to replace the device with a new one after a fire occurrence.

Smoke-Control responds to the physical presence of smoke. Smoke presence is required for the device to react. Smoke-Control every 10 seconds checks for smoke presence. Once the level of smoke exceeds value set in parameter 1, Smoke-Control triggers an alarm.

Fire alarm is signaled by sending an appropriate alarm command to devices, the Z-Wave controller and also by an intermittent sound and visual indicator blinking red. Once the fire alarm has ceased, the sensor checks whether the smoke has actually disappeared before getting back to normal operation, i.e. performing a self test each 10 seconds and checking for presence of smoke.

Notes:

- As described, Smoke-Control checks for smoke presence every 10 seconds. In addition, the device checks for malfunction and tests the Z-Wave network communication (see section VII) at each wake up interval (6 hours by default) and when sending reports, provided that range test has been enabled in advanced configuration.
- If fire alarm is triggered, but the level of smoke did not exceed concentration equal to three times of the sensitivity set in parameter 1 (the individual levels of sensitivity are printed on the device casing), user can mute sound alarm by holding the B-button (temporarily reducing the sensor's sensitivity). Visual indicator will still indicate an alarm state by blinking red. If smoke level concentration is greater than three times of the sensitivity set in parameter 1, mute will automatically turn off and the device will alarm fire again (using visual and audible indicator).

8 OPERATING THE DEVICE

8.1 - Programmable excess temperature warning

Apart from detecting presence of smoke, Smoke-Control has an additional function of informing of exceeding the programmed temperature threshold. The function is disabled by default in parameter 2 settings. Excess temperature warning is defined by user in parameter 30 - set to 55°C by default. Excess temperature level can be also signaled by visual indicator glow (parameter 3) and short beep (parameter 4). Parameter 20 should not be set to 0 because such setting disables temperature measurements.

8.2 - Malfunction detection

Smoke-Control can automatically detect a malfunction. As described in section IV, the device performs a test every 10 seconds. If malfunction is detected (e.g. damaged smoke chamber) an intermittent sound signal will start and alarm will be sent to the Z-Wave network controller.

Once trouble alarm has been detected, it's recommended to dismount the sensor and:

- check the power source (replace battery),
- check whether the Smoke-Control is exposed to direct light.

If a trouble alarm is continually reported, it's recommended to replace Smoke-Control with new one or contact with guarantor if the product warranty is still valid.

8.3 - Self-test

Self-test may be triggered manually:

1. Make sure the device is powered by the battery
2. Press and hold the B-button. The visual indicator will glow white and the short alarm will sound. Keep holding the B-button. After 3 seconds from the first beep smoke chamber operation will be checked.

Triggering fire alarm and beep mean positive result and should occur within 10 seconds. No fire alarm means that the sensor is malfunctioning.

Notes:

- When the self-test is triggered manually Smoke-Control sends control command to the Z-Wave network controller. The procedure will be performed at least as long as the B-button is not released (will be completed in up to 10 seconds after releasing B-button).
- Any service or repair must be carried out by the manufacturer. The expiry date of the device is indicated on its back.

8.4 - Detecting lack of Z-Wave range

When included in the Z-Wave network, Smoke-Control tests the network communication. By default the procedure is performed at each temperature report depending on parameters 20 and 21 settings. In addition, Z-Wave network communication test is performed during waking up. Lack of the Z-Wave network communication may be signaled by an intermittent alarm sound and visual indicator blinking violet. By default sound and visual signals are disabled but you can enable it by changing values of parameters 3 and 4 (section XVI).

Once Smoke-Control has reported no Z-Wave network communication, it's recommended to wake up the device by clicking the B-button. If it doesn't stop the alarm, Z-Wave networks operation and the main controllers operation need to be verified.

Smoke-Control will cancel the Z-Wave network communication alarm once it communicates with the network after manual or automatic wake up.

8.5 - Sensor's sensitivity level configuration

Optical smoke detector used in Smoke-Control has 3 levels of sensitivity, compliant with EN 14604:2005. By default, the detector is set to the middle sensitivity level. Sensitivity level depends on the parameter 1 settings (modified only through the main Z-Wave controller).

8.6 - Resetting the device

Resetting Smoke-Control erases the device memory, including all information on the Z-Wave network and the main controller.

Smoke-Control reset procedure:

1. Make sure the device has the battery installed.
2. Press and hold the B-button for 3 seconds until visual indicator glows white.
3. Short signal will sound.
4. Release the B-button.
5. Wait until the visual indicator glows yellow, signaling entering the 4th menu option.
6. Press the B-button briefly to confirm your choice.

Successful reset will be confirmed with the visual indicator changing colour to red and fading. At the same time, short beep will sound, same as at the power connection.

Notes:

- Please use this procedure only in the event that the system primary controller is missing or otherwise inoperable.
- Reset procedure should remove Smoke-Control from the Z-Wave network main controller's memory (depending on the controller's version).
- Removing the device from the Z-Wave network will reset Smoke-Control automatically.

8.7 - Operating through the Z-Wave network

Smoke-Control has a built in smoke detector and a temperature sensor, which makes it a multi channel device. Depending on the Z-Wave controller, the device may show up as two devices (Smoke-Control and temperature sensor).

9 MENU MODE AND VISUAL INDICATIONS

Smoke-Control is equipped with a visual indicator for indicating and signaling the sensor's operating modes and alarms. In addition, the visual indicator may inform of the Z-Wave network range or temperature threshold exceeded.

Visual indicator modes:

1. Alarms indications.
2. Added device status is signaled by a single green blink while inserting the battery.
3. Removed device status is signaled by a single red blink while inserting the battery.
4. Software update procedure is signaled by blinking in cyan
5. Successful software update is signaled with glowing in green
6. Unsuccessful software update is signaled with glowing in red
7. MENU levels are signaled with glowing in certain colour.

To enter MENU, press and hold the B-button for 3 seconds.

Once the indicator glows white, release the B-button. Visual indicator will then start changing colours in sequence. Each colour means different MENU level. Transitions between the MENU levels will be signaled with a short beep as well. Press the B-button briefly to confirm choice.

Visual indicator colours will change in the following sequence:

WHITE - entering MENU + software update procedure,

GREEN - sending device state to associated devices,

VIOLET - Z-Wave range test,

YELLOW - device reset.

10 ALARMS AND NOTIFICATIONS

Smoke-Control indicates particular states as follows:

- Fire alarm - three short beeps and visual indicator blinking red every 1,5 seconds (high priority)
- Low battery alarm - short beep and visual indicator blinking yellow once per 50 seconds (normal priority)
- Trouble alarm - short beep once per 50 seconds (normal priority)
- Exceeding temperature threshold - short beep and visual indicator blinking blue once per specified time interval (parameter 31 - 10 seconds by default) (low priority)
- Lack of Z-Wave range - short beep and visual indicator blinking violet diode once per specified time interval (parameter 32 - 30 minutes by default) (low priority)
- Opened casing detection - short beep and visual indicator blinking white

Notes:

- Except Fire, Low battery and Trouble alarm, the other notifications are by default disabled.
- If more than one alarm is triggered, the alarm with the highest priority is signaled.
- Smoke-Control automatically cancels fire alarms sent to the main Z-Wave network main controller and associated devices as well.
- The casing opening notification cannot be cancelled through MENU.

11 SOFTWARE UPDATE

Smoke-Control features remote software update. Complete the following steps to perform device update:

1. Detach the sensor from its cover by turning the device counter-clockwise.
2. Make sure the device is located within direct range of the Z-Wave network controller.
3. Set the main controller into update mode (see controller's manual)
4. Press and hold the B-button for 3 seconds. The visual indicator will glow white. A short signal will sound.
5. Release the B-button.
6. Press the B-button briefly to confirm menu level choice (white visual indicator). The visual indicator blinking cyan will signal the update process. The update process may take up to 10 minutes. During the update process, please do not remove the battery.

7. A successful update will be confirmed with the visual indicator changing color to green. The incorrect update process is indicated by the visual indicator changing color to red, regardless of the reason.
8. After the software update, a self-test should be performed manually to ensure the device is working correctly.

Notes:

- Update procedure needs to be performed twice in order to update the device completely.
- If update fails or update time exceeds 10 minutes, please remove the battery, press and hold the B-button for 3 seconds, install the battery again and repeat an update procedure. If that does not work please contact our tech support team.
- Controllers from various manufacturers can have different ways of activating the software update procedure (see controller's manual).
- If the sensor has not completed the self-test successfully after the software update, please try to perform the test again. After two consecutive self-test attempts has failed, Smoke-Control is considered to be faulty and should be subject to service procedure.
- Software update may be enabled only by user. During the update Smoke-Control does not detect fire. Once the software update is completed the device resumes normal operation.
- Update will not be performed if battery level is low.
- If parameter 2 value responsible for activation of casing opening notification has been set to active mode, please consider deactivating it for the upgrade procedure duration.

12 ASSOCIATIONS

Association (linking devices) - direct control of other devices within the Z-Wave system network e.g. Dimmer, Relay Switch, Roller Shutter or scene (may be controlled only through a Z-Wave controller).

Association allows direct transfer of control commands between devices, is performed without participation of the main controller and requires associated device to be in direct range.

Smoke-Control allows for the associations of five groups:

1st group – Lifeline. Reporting device state. Only one device - Z-Wave network controller may be set in this group. It's not recommended to modify this association group.

2nd group – Smoke Alarm. Sending the BASIC SET control command once smoke is detected. Its value may be modified in advanced parameters (see section XVI). Group may control up to five on/off devices.

3rd group – Tamper. Sending the notification NOTIFICATION REPORT (TYPE = BURGLAR, EVENT = PRODUCT COVERING REMOVED) to associated devices once casing opening is detected. Up to five devices supporting casing opening command (NOTIFICATION REPORT) may be included in this group.

4th group – Smoke Alarm. Sending the notification SENSOR ALARM REPORT (TYPE = SMOKE ALARM) to associated devices once smoke is detected. Up to five devices supporting SMOKE ALARM command may be included in this group.

5th group – Tamper. Sending SENSOR ALARM REPORT notification (TYPE = GENERAL) to associated devices once casing opening is detected. Up to five devices supporting SENSOR ALARM REPORT command may be included in this group.

Note. Smoke-Control allows for controlling 5 regular or 5 multichannel devices per an association group in groups 2-5 and one device in the 1st group.

13 Z-WAVE RANGE TEST

The device has a built in Z-Wave network main controller's range tester.

- To make Z-Wave range test possible, the device must be added to the Z-Wave controller. Testing may stress the network, so it is recommended to perform the test only in special cases.
- Communication mode of the device may switch between direct and one using routing, especially if the device is on the limit of the direct range.

To perform a range test:

1. Make sure the sensor is powered.
2. Press and hold the B-button for 3 seconds. The visual indicator will glow white.
3. A short signal will sound.
4. Release the B-button.
5. Wait until the visual indicator glows violet, and then press the B-button briefly to start the test.
6. The visual indicator will indicate the Z-Wave network's range (range signaling modes described below).
7. To exit the Z-Wave range test, press the B-button briefly.

Z-Wave range tester signalling modes:

Visual indicator pulsing green - Smoke-Control attempts to establish a direct communication with the main controller. If a direct communication attempt fails, sensor will try to establish a routed communication, through other modules, which will be signaled by visual indicator pulsing yellow.

Visual indicator glowing green - Smoke-Control communicates with the main controller directly.

Visual indicator pulsing yellow - Smoke-Control tries to establish a routed communication with the main controller through other modules.

Visual indicator glowing yellow - Smoke-Control communicates with the main controller through the other modules. After 2 seconds the sensor will retry to establish a direct communication with the main controller, which will be signaled with blinking in green.

Visual indicator pulsing violet - Smoke-Control communicates at the range limit. If connection proves successful it will be confirmed with a yellow glow. It's not recommended to use the sensor at the range limit.

Visual indicator glowing red - Smoke-Control is not able to connect to the main controller directly or through another Z-Wave network nodes.

⚠ During the Z-Wave network range test, Smoke-Control is not detecting fire. Device resumes previous operation mode once the Z-Wave network range test has been finished. Z-Wave range test may be enabled only by user.

14 ADVANCED PARAMETERS

The device allows to customize its operation to user's needs using configurable parameters.

The settings can be adjusted via Z-Wave controller to which the device is added. The way of adjusting them might differ depending on the controller.

Wake up interval

The Wake-up interval is specified in seconds. Smoke-Control communicates with the main controller at each wake-up and updates parameters settings and the software if necessary. The Smoke-Control will wake up at a defined time interval and will ALWAYS try to communicate with the main controller. After each failed communication attempt, the sensor will retry to establish a connection with the main controller after 60 seconds. After 3 failed attempts, the lack of the Z-Wave range alarm will be triggered. A longer time interval means less frequent communication and thus longer battery life. The Z-Wave range alarm will be canceled automatically after the first successful connection. Change of wake-up interval value does not affect alarms or trouble signals operation.

Available settings: 0, 4200 - 65535 (4200s – 65535s)

Default setting: 21600 (21600s = 6h)

Note. Setting to 0 disables sending Wake Up Notification frame. Wake up may be still performed manually by a single B-button click or by sending Node Info frame (triple click the B-button).

Table A1 - Smoke-Control - Available parameters

Parameter:	1. Smoke-Control sensitivity		
Description:	There are 3 levels of sensitivity to smoke presence. Level 1 means the highest sensitivity. Raising the parameter value lowers the sensitivity to smoke presence. A		
Available settings:	1 - HIGH Sensitivity 2 - MEDIUM Sensitivity 3 - LOW Sensitivity		
Default setting:	2	Parameter size:	1 [byte]
Parameter:	2. Z-Wave notifications status		
Description:	This parameter allows to activate excess temperature and/or casing opening notifications sent to the main controller.		
Available settings:	0 - all notifications disabled 1 - casing opening notification enabled 2 - exceeding temperature threshold notification enabled Parameter values may be combined, e.g. 1+2=3, means that all notifications are enabled.		
Default setting:	0 (notifications disabled)	Parameter size:	1 [byte]
Parameter:	3. Visual indicator notifications status		
Description:	This parameter allows to activate visual indications but does not apply to major alarms, such as Fire, Trouble and Low battery alarm.		
Available settings:	0 - all notifications disabled 1 - casing opening notification enabled 2 - exceeding temperature threshold notification enabled 4 - lack of Z-Wave range notification Parameter values may be combined, e.g. 1+2+4=7, means that all notifications are enabled.		
Default setting:	0 (notifications disabled)	Parameter size:	1 [byte]

Parameter:	4. Sound notifications status		
Description:	This parameter allows to activate sound signals but does not apply to major alarms, such as Fire, Trouble and Low battery alarm.		
Available settings:	0 - all notifications disabled 1 - casing opening notification enabled 2 - exceeding temperature threshold notification enabled 4 - lack of Z-Wave range notification Parameter values may be combined, e.g. 1+2+4=7, means that all notifications are enabled.		
Default setting:	0 (notifications disabled)	Parameter size:	1 [byte]
Parameter:	10. Configuration of control frames in BASIC command class		
Description:	This parameter defines which frames will be sent in the 2-nd Association Group (SMOKE ALARM). The values of BASIC ON and BASIC OFF frames may be defined as described in further parameters.		
Available settings:	0 - BASIC ON & BASIC OFF enabled 1 - BASIC ON enabled 2 - BASIC OFF enabled		
Default setting:	0 (both frames enabled)	Parameter size:	1 [byte]
Parameter:	11. BASIC ON frame value		
Description:	BASIC ON frame is sent in case of smoke presence detection and Fire Alarm triggering. Its value is defined by the parameter.		
Available settings:	0 - turn off the device 1-99 - set the device to 1-99% 255 - set the last status		
Default setting:	255	Parameter size:	2 [bytes]
Parameter:	12. BASIC OFF frame value		
Description:	BASIC OFF frame is sent in case of Fire Alarm cancellation. Its value is defined by the parameter.		
Available settings:	0 - turn off the device 1-99 - set the device to 1-99% 255 - set the last status		
Default setting:	0 (turn off the device)	Parameter size:	2 [bytes]
Parameter:	13. Alarm broadcast		
Description:	A value other than 0 means that alarms are being sent in broadcast mode, i.e. to all devices within Smoke-Control's range.		
Available settings:	0 – broadcast inactive 1 – SMOKE ALARM command broadcast (2-nd & 4-th Association Group) active; casing opening notification broadcast (3-rd & 5-th Association Group) inactive 2 – SMOKE ALARM command broadcast (2-nd & 4-th Association Group) inactive; casing opening notification broadcast (3-rd & 5-th Association Group) active 3 – SMOKE ALARM command broadcast (2-nd & 4-th Association Group) active; casing opening notification broadcast (3-rd & 5-th Association Group) active.		
Default setting:	0 (broadcast inactive)	Parameter size:	1 [byte]
Parameter:	14. Associations in Z-Wave network security mode		
Description:	This parameter defines how commands are sent in specified association groups: as secure or non-secure. Parameter is active only in Z-Wave network security mode. It doesn't apply to 1st Lifeline group.		
Available settings:	0 - all groups sent as non-secure 1 - 2nd group sent as secure 2 - 3rd group sent as secure 4 - 4th group sent as secure 8 - 5th group sent as secure Parameter values may be combined, e.g. 1+2=3 means that 2nd & 3rd group are sent as secure.		
Default setting:	15 (all groups sent as secure)	Parameter size:	1 [byte]

Parameter:	20. Temperature report interval		
Description:	Time interval between consecutive temperature reports. Report is sent when new temperature value is different from the one previously reported - according to the set hysteresis (parameter 21). Temperature reports can be also sent as a result of polling.		
Available settings:	0 – reports inactive 1-8640 - [10s-24h]		
Default setting:	1 (10 seconds)	Parameter size:	2 [bytes]
Parameter:	21. Temperature report hysteresis		
Description:	The temperature report will only be sent if there is a difference in temperature value from the previous value reported, defined in this parameter (hysteresis). Temperature reports can be also sent as a result of polling.		
Available settings:	1-100 - (multiply by 0,1) [0,1°C - 10°C in 0,1°C steps]		
Default setting:	10 (1°C)	Parameter size:	1 [byte]
Parameter:	30. Temperature threshold		
Description:	Temperature value measured by the built-in temperature sensor above which the excess temperature notification is sent (visual indication/sound/Z-Wave report).		
Available settings:	1-100 – (1°C - 100°C)		
Default setting:	55 (55°C)	Parameter size:	1 [byte]
Parameter:	31. Excess temperature signaling interval		
Description:	Time interval of signaling (visual indication/sound) excess temperature level		
Available settings:	1-8640 (multiply by 10 seconds) [10s-24h] 1-8640 - [10s-24h]		
Default setting:	1 (10 seconds)	Parameter size:	2 [bytes]
Parameter:	32. Lack of Z-Wave range indication interval		
Description:	Time interval of signaling (visual indication/sound) lack of Z-Wave range		
Available settings:	1-8640 (multiply by 10 seconds) [10s-24h] 1-8640 - [10s-24h]		
Default setting:	180 (30min)	Parameter size:	2 [bytes]

Notes:

- Parameters 30, 31 and 32 are associated with parameters 2, 3 and 4 settings. Their modification may have no effect if configured functionality is not activated in the corresponding parameter.
- Default values of advanced parameters may be changed only if the device is added to the main Z-Wave network controller.

15 TECHNICAL SPECIFICATIONS

The product Smoke-Control is produced by Nice S.p.A. (TV). Warnings: - All technical specifications stated in this section refer to an ambient temperature of 20 °C (± 5 °C) - Nice S.p.A. reserves the right to apply modifications to the product at any time when deemed necessary, while maintaining the same functionalities and intended use.

Motion-Control	
Battery Type	CR123A
Operational Temperature	0°C - 55°C
Operational Humidity	0% - 93%
Measured Temperature Range	-20°C to 100°C
Temperature Measuring Accuracy	0,5°C (within 0°C - 55°C range)
Dimensions (Diameter x Height)	65 x 28 mm

- Radio frequency of individual device must be same as your Z-Wave controller. Check information on the box or consult your dealer if you are not sure.
- Using batteries other than specified may result in explosion. Dispose of properly, observing environmental protection rules.

Radio transceiver	
Radio protocol	Z-Wave (500 series chip)
Frequency band	868.4 or 869.8 MHz EU 921.4 or 919.8 MHz ANZ
Transceiver range	up to 50m outdoors up to 30m indoors (depending on terrain and building structure)
Max. transmit power	-5 dBm

(*) The transceiver range is strongly influenced by other devices operating at the same frequency with continuous transmission, such as alarms and radio headphones which interfere with the control unit transceiver.

16 PRODUCT DISPOSAL

This product is an integral part of the automation and therefore must be disposed together with the latter.

As in installation, also at the end of product lifetime, the disassembly and scrapping operations must be performed by qualified personnel. This product is made of various types of material, some of which can be recycled while others must be scrapped. Seek information on the recycling and disposal systems envisaged by the local regulations in your area for this product category.

Caution! – some parts of the product may contain pollutant or hazardous substances which, if disposed of into the environment, may cause serious damage to the environment or physical health.

As indicated by the symbol alongside, disposal of this product in domestic waste is strictly prohibited. Separate the waste into categories for disposal, according to the methods envisaged by current legislation in your area, or return the product to the retailer when purchasing a new version.

Caution! – local legislation may envisage serious fines in the event of abusive disposal of this product.



17 DECLARATION OF CONFORMITY

Hereby, Nice S.p.A., declares that the radio equipment type Smoke-Control is in compliance with Directive 2014/53/EU.

The full text of the EU declaration of conformity is available at the following internet address: <http://www.niceforyou.com/en/support>



Nice SpA
Oderzo TV Italia
info@niceforyou.com

www.niceforyou.com